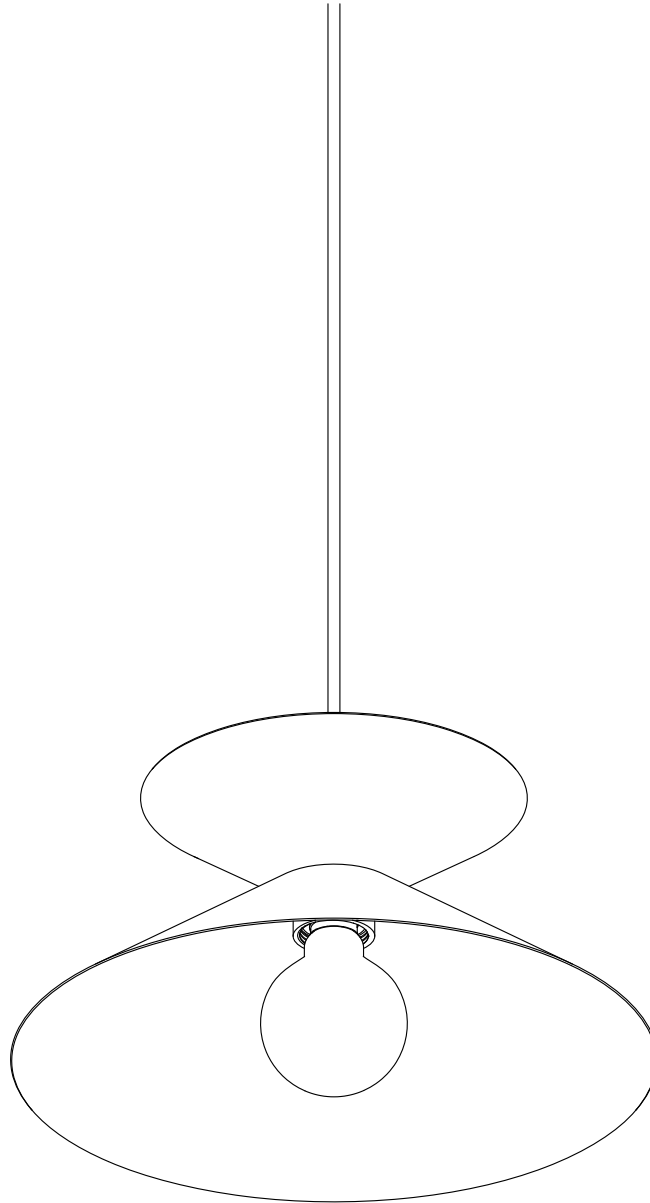


AiO STRATA SHADE

ASSEMBLY GUIDE



WARNING

Turn power off at circuit before wiring
and always consult a licensed electrician.

Need more info? Visit our guides page at colorcord.com/pages/guides



800-409-1070

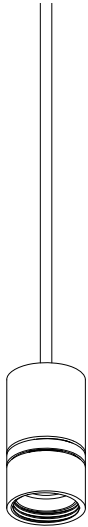


colorcord.com



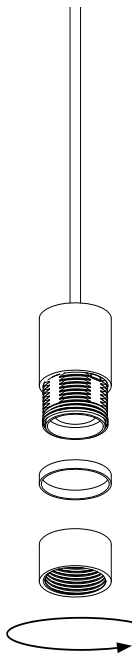
info@colorcord.com

AiO STRATA SHADE ASSEMBLY GUIDE



STEP 1

Install fixture following our Canopy Installation Diagram for hardwired pendants or our Swag Hook Installation Guide for plug-in pendants.



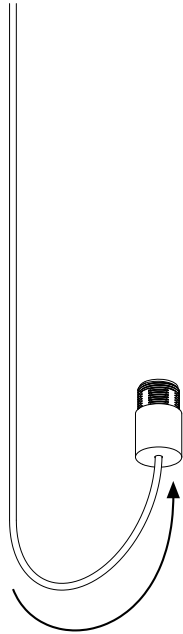
STEP 2

Remove Socket Thread Cover and Spacer Ring by unthreading the Socket Thread Cover.

AiO STRATA SHADE ASSEMBLY GUIDE

STEP 3

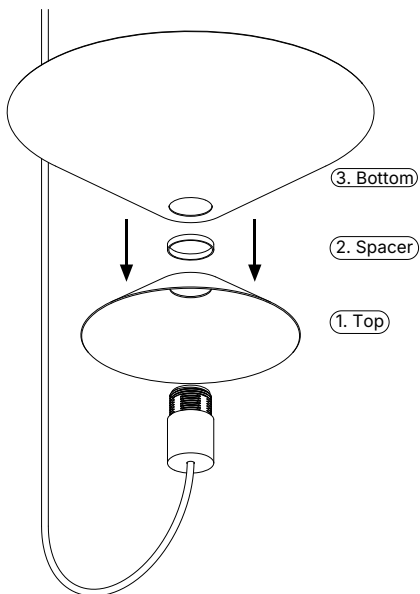
Invert socket.



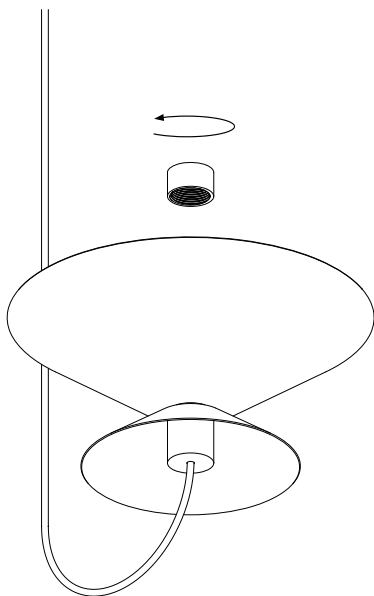
STEP 4

Slide your chosen shades onto the socket in the following order:

1. Top Shade
2. Spacer Ring
3. Bottom Shade

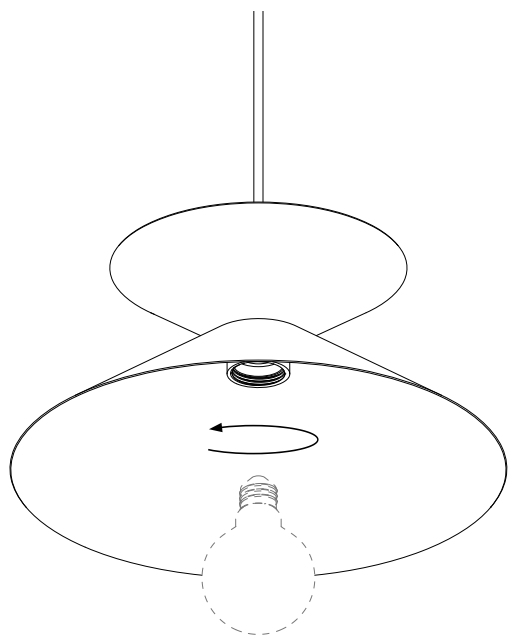


AiO STRATA SHADE ASSEMBLY GUIDE



STEP 5

Thread on Socket Thread Cover until snug.



STEP 6

Lower the pendant light into a hanging position and thread in the E26 Medium Base Bulb of your choosing.

Return power to circuit and turn on the lights!